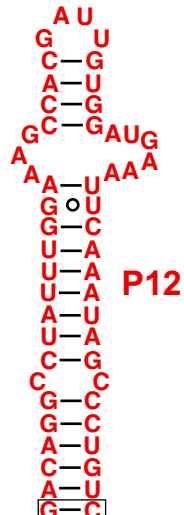
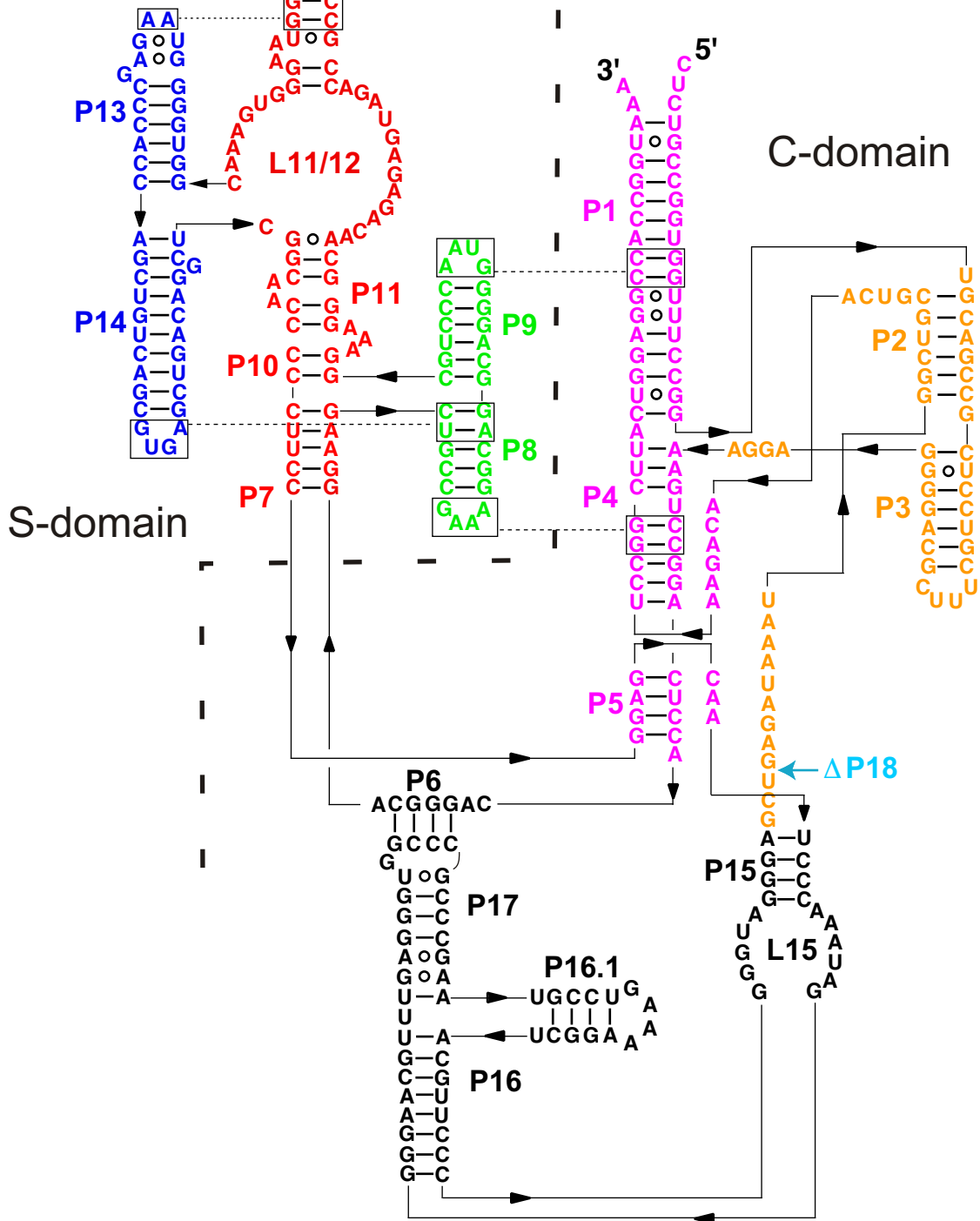


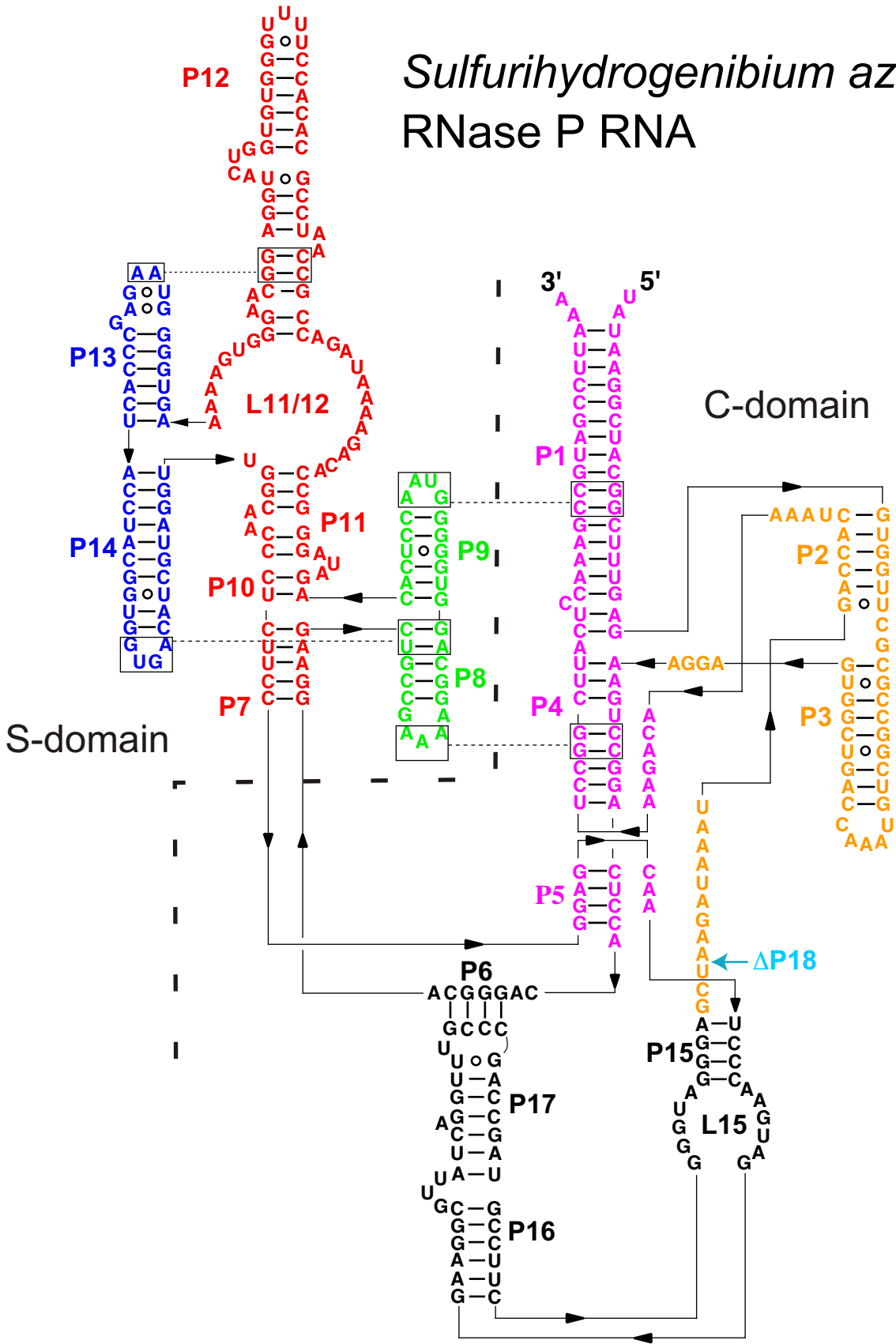
alternative structure for distal P12



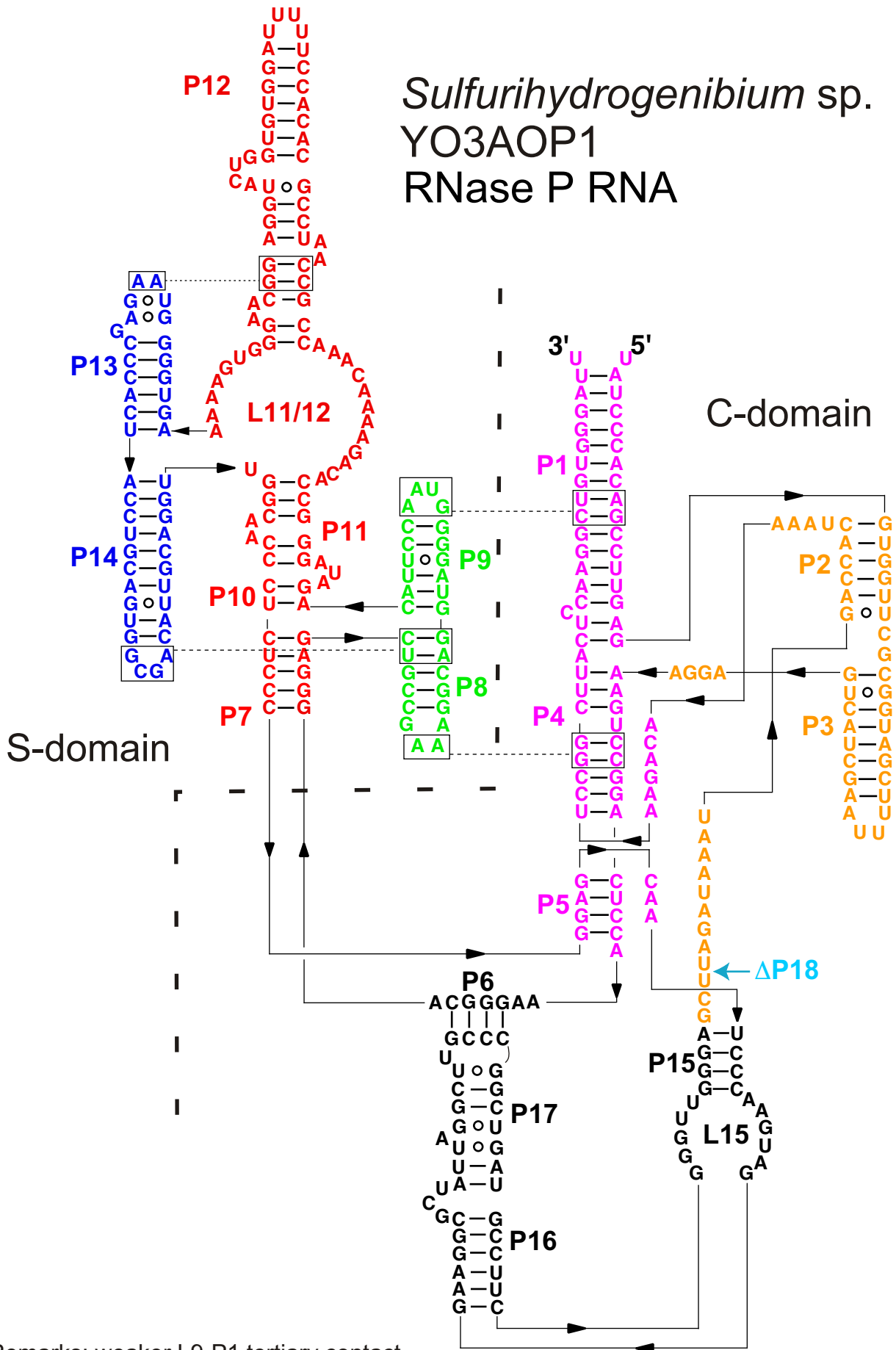
Persephonella marina RNase P RNA



Sulfurihydrogenibium azorense RNase P RNA

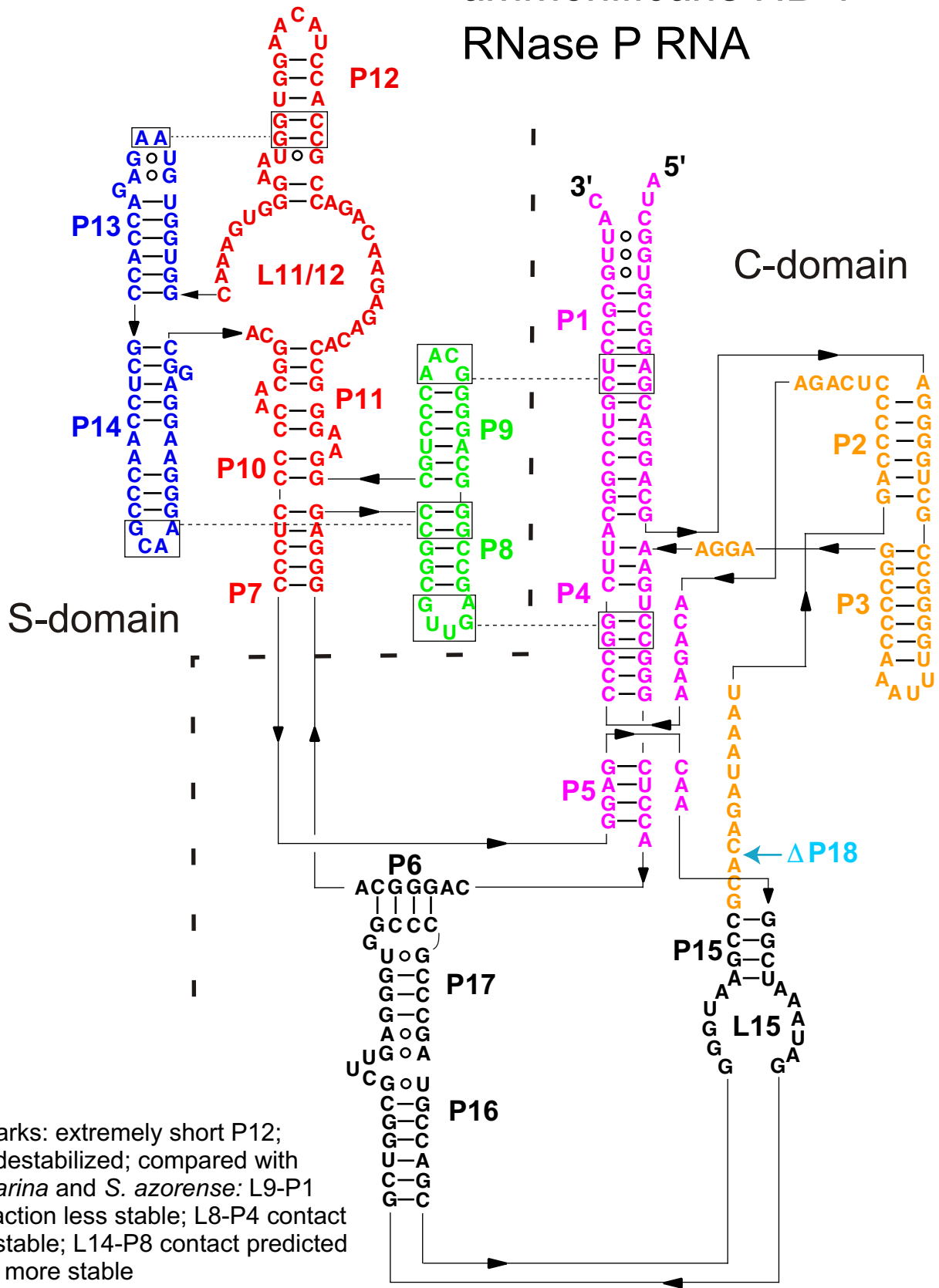


Sulfurihydrogenibium sp.
YO3AOP1
RNase P RNA



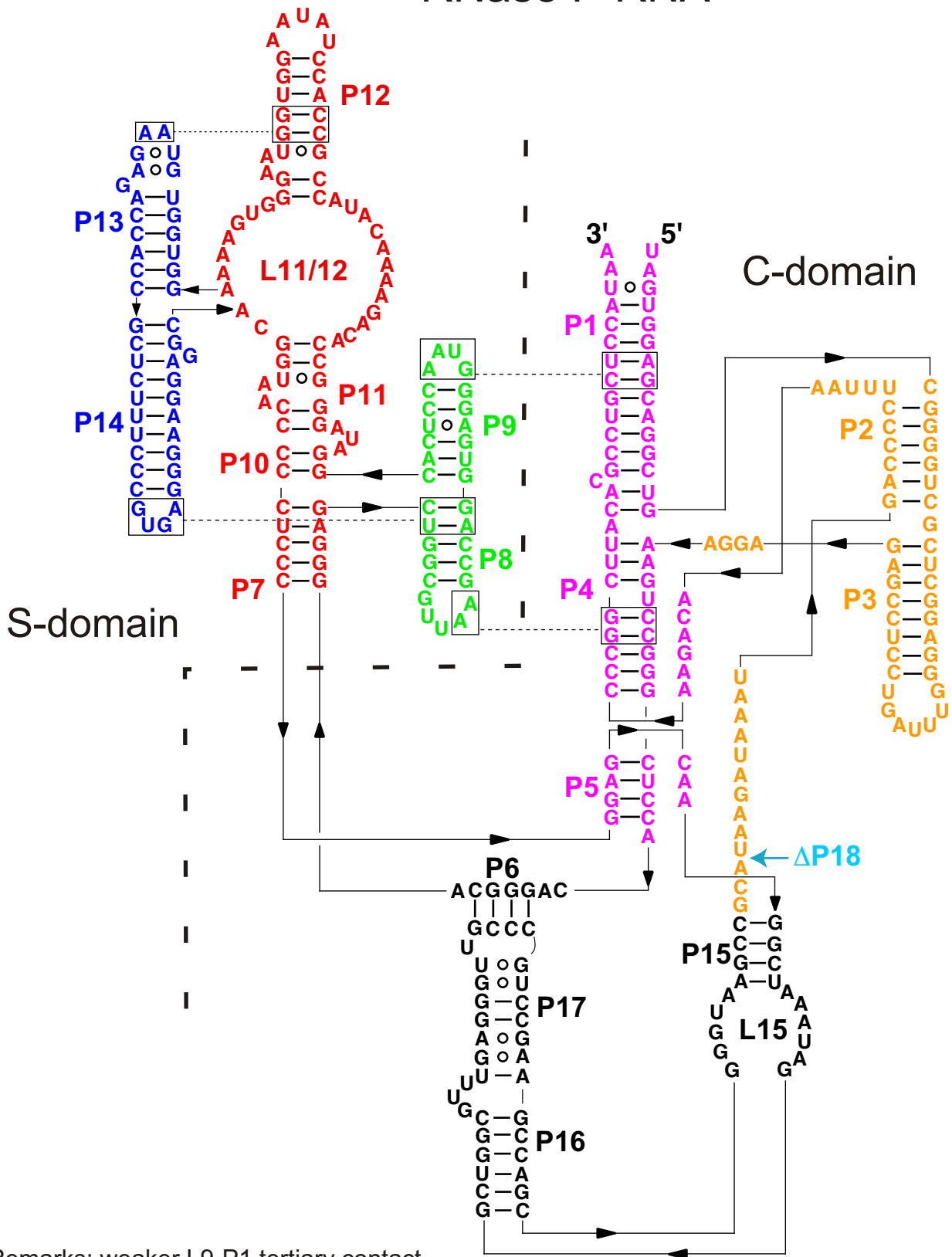
Remarks: weaker L9-P1 tertiary contact
relative to *S. azorensis* / less stable P17
relative to *S. azorensis*

Thermovibrio ammonificans HB 1 RNase P RNA



Remarks: extremely short P12;
P14 destabilized; compared with
P. marina and *S. azorensis*: L9-P1
interaction less stable; L8-P4
contact less stable; L14-P8 contact
predicted to be more stable

D. thermolithotrophum RNase P RNA



Remarks: weaker L9-P1 tertiary contact
relative to *S. azorensis* / less stable P17
relative to *S. azorensis*